



# HEXA PRO

HDMI 2.0 Audio Extractor with Down-mixing  
**Owner's Manual**



## PureLink™

22-10 State Route 208  
Fair Lawn, NJ 07410USA

Tel: +1.201.488.3232

Fax: +1.201.621.6118

E-mail: [sales@purelinkav.com](mailto:sales@purelinkav.com)

[www.purelinkav.com](http://www.purelinkav.com)

For order support, please contact your local dealer.  
For technical support, please contact us at [support@purelinkav.com](mailto:support@purelinkav.com)

## Chapter 1. Introduction

### 1.1 Safety Precautions

- All safety instructions should be read and understood before the unit is operated.
- The owner's manual and safety instructions should be retained for future reference.
- Unplug this unit from the wall outlet before cleaning. Do not use liquid or aerosol cleaners. Use a damp cloth only.
- Keep away from wet, magnetic, and flammable surfaces or substances.
- Always use the correct external power supply (indicated on the product label) when operating this unit.
- This unit may be equipped with a 3 wire grounding-type plug - a plug having a third (grounding) pin. This pin will only fit in to a grounding type power outlet. If you are unable to insert the plug in to the outlet, contact your electrician to replace your obsolete outlet.
- Air vents should be kept clean and unobstructed at all times.
- Please refrain from using frayed power cords and damaged wall outlets.
- Do not place any heavy objects or equipment on top of the unit.
- To prevent electrical damage, TURN OFF the power to this unit before inserting or removing INPUT/OUTPUT slot cards.

If your product is malfunctioning or for assistance operating your product, please contact our technical support team.

**PureLink™**

Tel: 201.488.3232

Email: [support@purelinkav.com](mailto:support@purelinkav.com)

## 1.2 Declaration of Conformity

According to Council Directive 73/23/EEC (February 19, 1973) on the Harmonization of the Laws of Member States relating to Electrical Equipment; Council Directive 89/336/EEC (May 3, 1989) on Electromagnetic Compatibility; Council Directive 93/68/EEC (July 22, 1993)-Amending Directives 89/336/EEC (MC) and 73/23/EEC (Low Voltage Equipment Safety), and/or CPU Boards and Power Supplies used Council Directive 93/68/EEC with Matrix, Dtrovision LLC, 535 E Crescent Ave Ramsey, NJ 07446 201-488-3232, declares under sole responsibility, that the product identifies with 93/66/EEC of the Council Directive Low Voltage Equipment Safety. Each product marketed is identical to the representative unit tested and found to be compliant with the standards.

## 1.3 What's in the Box

- 1× HDMI 18Gbps Audio Extractor
- 1× 5V/1A Power Adapter
- 1× User Manual

## 1.4 Product Introduction

The HEXA Pro extract audio signals from any HDMI compliant source to digital optical or analog stereo L/R audio outputs. For maximum flexibility, HEXA Pro audio extractor also supports bitstream audio down-mix to analog stereo output and keeps optical and HDMI out audio pass-through. Both input and output of HDMI supports video resolutions up to 4K2K@50/60Hz 4:4:4, 10bits HDR (High Dynamic Range) pass through, HDMI high resolution digital audio formats bypass, LPCM 2CH, Dolby TrueHD, Dolby Digital Plus, Dolby Atmos and DTS-HD Master Audio, audio sampling rate up to 192 kHz. HDCP 2.2 and CEC bypass are supported.

The following installation settings are recommended for optimal performance.

- Operational temperature should be 30° C or below
- Operational humidity should be 60% or below
- Operational environment should be dust-free and well ventilated
- Stabilized AC input power (AVR-based power supply) is highly advised

## Chapter 2. Product Features

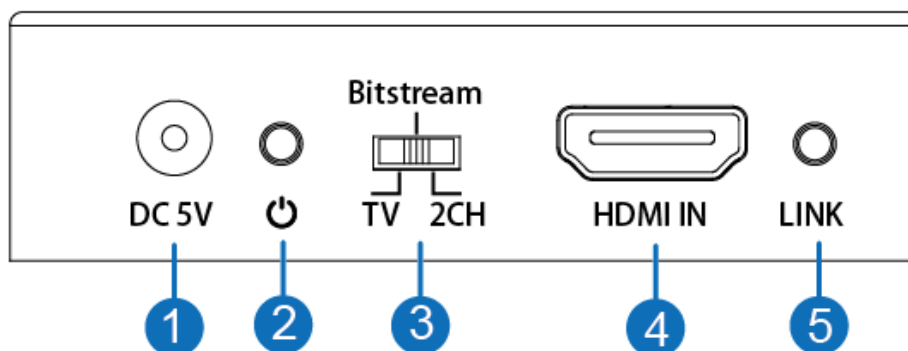
### 2.1 Features

- HDMI 2.0b (18Gbps), HDCP 2.2 and DVI compliant
- Video resolutions up to 4K2K@50/60Hz (YUV444)
- Extracts HDMI audio to multi-channel optical (SPDIF) or L/R analog audio
- HDMI Pass-through audio input to HDMI and optical audio output
- Supports bitstream audio down-mix to L/R analog output
- Optical audio supports LPCM 2CH, Dobby Digital 2/5.1CH, DTS 2/5.1CH
- Supports HDMI High Bit Rate(HBR) audio pass through
- Audio sample rates up to 96kHz
- 10bits HDR (High Dynamic Range) pass through
- Supports CEC pass-through

## Chapter 3. Operational guidelines

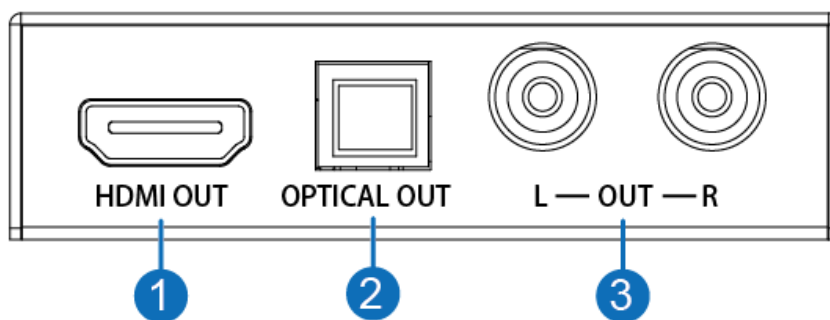
### 3.1 Main Menu User Guide

#### Front Panel



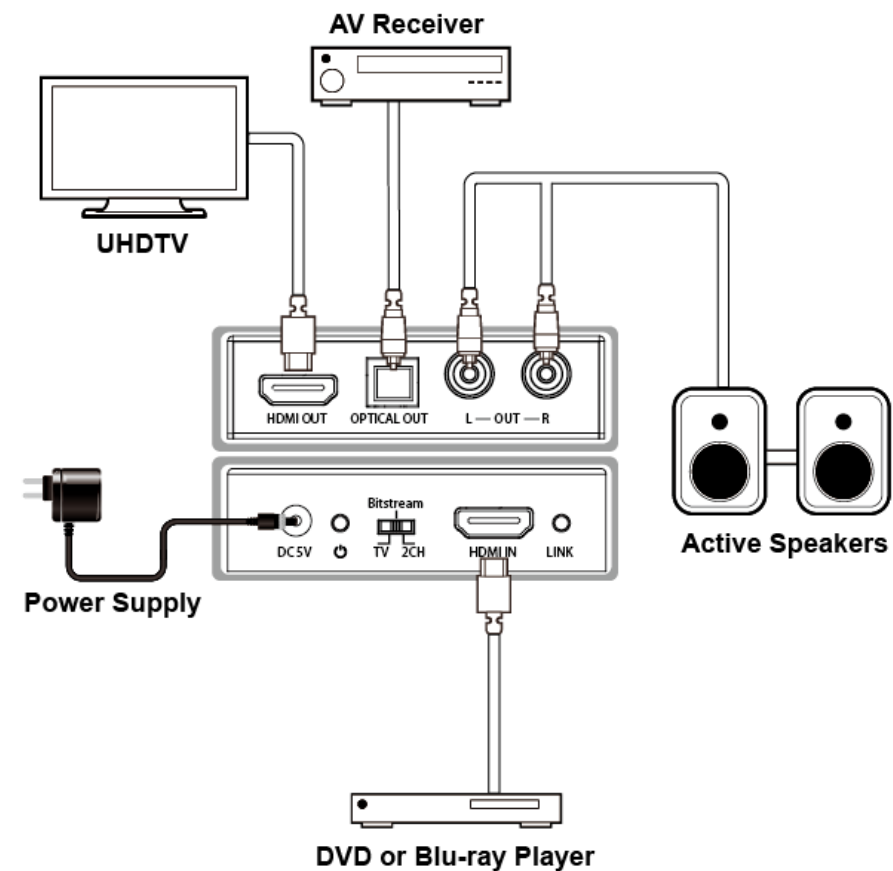
Number	Name	Function description
1	DC 5V	Connect 5V/1A adapter to AC wall outlet for power supply.
2	Power LED	System power indicator.
3	TV/Bitstream /2CH	The user allows to select audio format according to Copy TV, Bitstream or 2CH. TV: Copy EDID from TV. Bitstream: Multi channel audio up to six channels. 2CH: 2 channel Stereo PCM.
4	HDMI IN	HDMI video input.
5	Link LED	The LED will illuminate when the HDMI IN port detects input signal.

#### Rear Panel



Number	Name	Function description
1	HDMI OUT	HDMI output for display connectivity.
2	OPTICAL Out	Toslink digital audio output(mirrors HDMI).
3	L/R OUT	Stereo RCA analog audio output.

### Sample Application Diagram





**Specification:**

<b>Technical</b>	
<b>HDMI Compliance</b>	HDMI 2.0b
<b>HDCP Compliance</b>	HDCP 2.2 and HDCP 1.4
<b>Video Bandwidth</b>	18 Gbps
<b>Video Resolutions</b>	up to 4K2K@50/60Hz(YUV4:4:4),4K2K@30Hz,1080P@120Hz, and 1080P 3D@60Hz
<b>Color Space</b>	RGB, YCbCr 4:4:4, YCbCr 4:2:2
<b>Color Depth</b>	10-bit, 12-bit
<b>HDMI Audio Formats (Pass-through)</b>	LPCM 2/5.1/7.1CH, Dolby Digital, DTS 5.1, Dolby Digital+, Dolby TrueHD, DTS-HD Master Audio, Dolby Atmos, DTS:X
<b>Optical AudioFormats</b>	LPCM 2CH,LPCM 5.1,Dolby Digital 2/5.1CH, DTS2/5.1CH
<b>L/R Audio Formats</b>	Analog Stereo 2CH
<b>ESD Protection</b>	Human body model — ±8kV (air-gap discharge) & ±4kV (contact discharge)
<b>Connections</b>	
<b>Inputs</b>	1x HDMI Type A [19-pin female]
<b>Outputs</b>	1x HDMI Type A [19-pin female] 1x L/R AudioOut [RCA] 1x Optical Out [S/PDIF]
<b>Mechanical</b>	
<b>Housing</b>	Metal Enclosure
<b>Color</b>	Black
<b>Dimensions</b>	73.5mm [W] x 60.7mm [D] x 20mm [H]
<b>Weight</b>	135g
<b>Power Supply</b>	Input: AC100 - 240V 50/60Hz Output: DC 5V/1A (US/EU standards, CE/FCC/UL certified)
<b>Power Consumption</b>	1.25W(Max)
<b>Operation Temperature</b>	32 - 104°F / 0 - 40°C
<b>Storage temperature</b>	-4 - 140°F / -20 - 60°C
<b>Relative Humidity</b>	20 - 90% RH (no condensation)

## Chapter 4. Additional Information

### 4.1 Manufacturer's Warranty (3-Year)

PureLink warrants this UX Series HDMI Integrated Matrix Switcher to be free from defects in workmanship and materials, under normal use and service, for a period of three (3) year from the date of purchase from PureLink or its authorized resellers.

If the product does not operate as warranted during the applicable warranty period, PureLink shall, at its option and expense, execute one of the following as necessary:

1. Repair the defective product or part
2. Deliver to customer and equivalent product or part to replace the defective item
3. Refund to customer the purchase price paid for the defective product

All products that are replaced become the property of PureLink. Replacement products may be new or reconditioned. Repaired or replacement products or parts come with a 90-day warranty or the remainder of the warranty period. PureLink shall not be responsible for any software, firmware, information, or memory data loss of contained in, stored on, or integrated with any products returned to PureLink for repair under warranty.

### 4.2 Customer Service

Any customer service inquiries can be submitted electronically through the Q&A form on our website ([www.purelinkav.com](http://www.purelinkav.com)).

For immediate assistance please contact us at (201) 488-3232 to reach our customer care or tech support team.